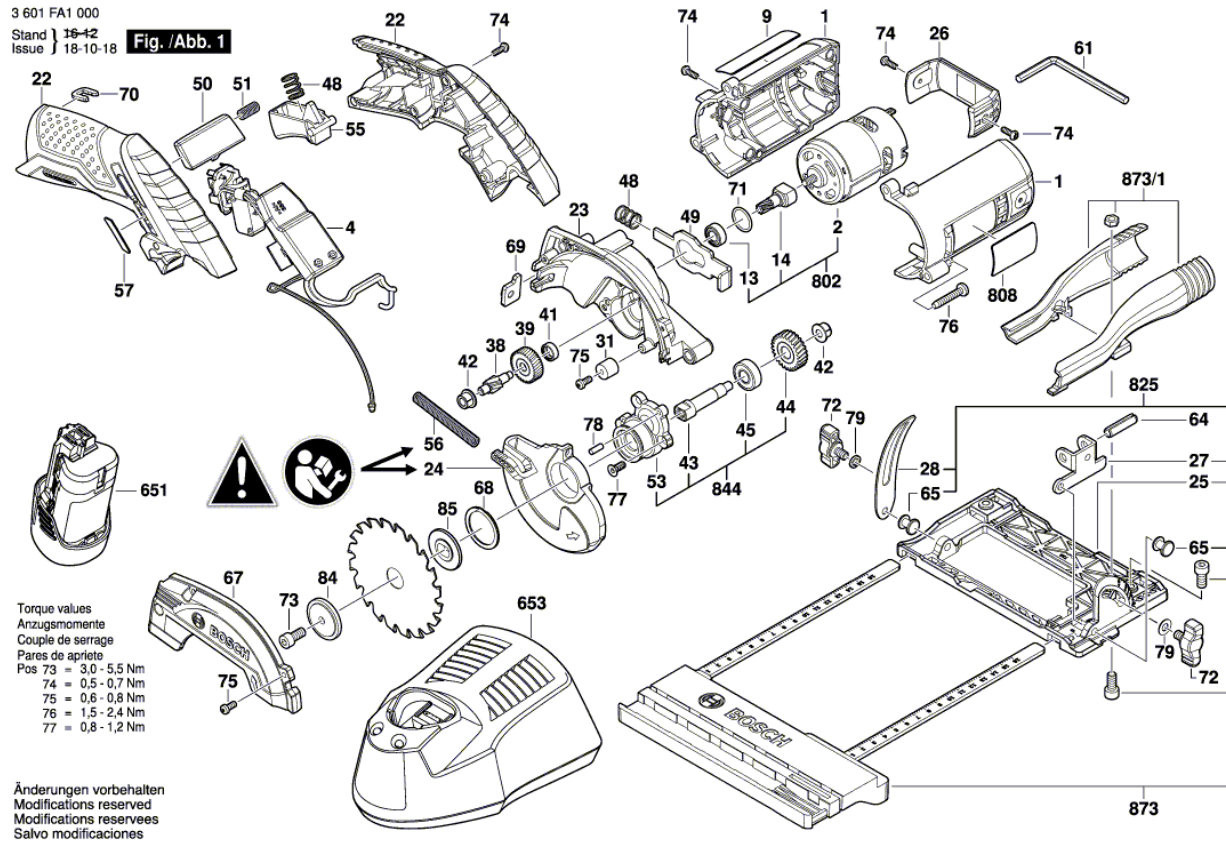


Illustration - Type - E



## Spare parts list

Item	Part Number	Description	Illustration
1	1 619 P10 718	Motor Housing	1
2	1 607 022 64L	DC motor	1
4	1 619 P10 653	Electronics Module	1
9	1 619 P14 287	Manufacturer's nameplate GKS 12V-26	1
13	1 619 P10 733	groove ball bearing	1
14	1 619 P10 731	Gear	1
22	1 619 P10 721	Handle	1
23	1 600 A00 XS4	Upper guard	1
24	1 619 P10 722	Lower guard	1
25	1 600 A00 XR3	Base Plate	1
26	1 619 P10 724	End cap	1
27	1 619 P10 725	Hinge Bracket	1
28	1 619 P10 726	Support bracket	1
31	1 619 P10 728	Bumper	1
38	1 619 P10 735	Gear Shaft	1
39	1 619 P10 732	Gear	1
41	1 619 P10 734	groove ball bearing	1
42	1 619 P10 729	Bushing	1
43	1 619 P10 730	Shaft	1
44	1 619 P10 736	Gear	1
45	1 619 P06 024	Ball Bearing	1
48	1 619 P10 738	Compression Spring	1
49	1 619 P10 727	Guide Bracket	1
50	1 619 P10 739	Locking Slide	1
51	2 610 935 251	Compression Spring	1
53	1 619 P10 720	Bearing Flange	1
55	1 619 P10 741	Trigger	1
56	1 619 P10 742	Extension Spring	1
57	1 619 P10 834	Sticker	1
61	1 619 P11 420	Hexagon Socket Wrench	1
64	2 917 760 151	Slotted Spring Pin	1
65	1 619 P06 968	Rivet	1
67	1 619 P10 740	Protection cover	1
68	1 619 P10 737	Retaining ring	1
69	1 619 P10 828	Nut	1

## Spare parts list

Item	Part Number	Description	Illustration
70	1 619 P08 646	Clip	1
71	3 600 210 014	O-Ring 14,0x1,3 MM	1
72	1 619 P01 618	Wing Screw BLACK	1
73	1 619 P11 432	Hex Socket Head Cap Screw	1
74	1 619 P00 220	Torx Oval-Head Screw 3x10	1
75	1 619 P11 431	Thread-forming tap. Screw	1
76	1 619 P07 546	Thread-forming tap. Screw	1
77	1 613 435 023	Thread-forming tap. Screw	1
78	2 603 201 020	Bearing bolt	1
79	1 619 P11 626	Plain Washer	1
84	1 619 P13 104	Washer	1
85	1 619 P10 745	Retaining Washer	1
651	1 607 A35 049	Battery Pack 12V, 2,5Ah, LI GBA	1
651	1 607 A35 06A	Battery Pack GBA 12V 3,0 Ah Li	1
651	1 607 A35 0C5	Battery Pack GBA 12V 2.0Ah Li SCM	1
653	2 607 226 101	Fast Charger EU GAL 1230 CV 230/12V	1
653	2 607 226 105	Fast Charger GB GAL 1230 CV 230/12V	1
802	1 619 P11 483	Motor assembly	1
808	1 619 P14 308	Nameplate	1
825	1 619 P11 485	Baseplate complete	1
844	1 619 P11 484	Spindle Assembly	1
873	1 619 P11 536	Parallel-Guide	1
873/1	1 619 P11 537	Suction Nozzle	1